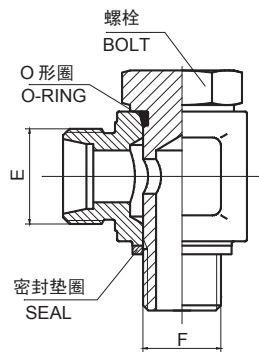


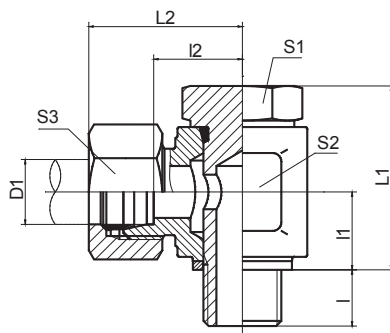


公制螺纹卡套接头 METRIC THREAD BITE TYPE TUBE FITTINGS

JIAYUAN



**1CI-B
1DI-B**



**1CI-B/RN
1DI-B/RN**

英管螺纹铰接接头
BSP BANJO

代号 PART NO.	螺纹THREAD		管子外径D1 TUBE O.D.	尺寸 DIMENSIONS									螺栓 BOLT	O形圈 O-RING	密封垫圈 SEAL	压力等级 MPa
	E	F		I	I1	L1	I2	L2	S1	S2	S3					
1CI-12-B02	M12X1.5	G1/8"	6	8	11	25.5	12	27	14	17	14	720B-02I	O08.1X1.6	ZHD-10	31.5 轻系列 L	
1CI-14-B04	M14X1.5	G1/4"	8	12	14.5	33	15.5	30	19	24	17	720B-04I	O11.3X2.4	ZHD-14		
1CI-16-B04	M16X1.5	G1/4"	10	12	14.5	33	16.5	31	19	24	19	720B-04I	O11.3X2.4	ZHD-14		
1CI-18-B06	M18X1.5	G3/8"	12	12	16.5	38	19	34.5	24	27	22	720B-06I	O15.3X2.4	ZHD-18		
1CI-22-B08	M22X1.5	G1/2"	15	14	21.5	49	22.5	38	27	32	27	720B-08I	O19.3X2.4	ZHD-22		
1CI-26-B08	M26X1.5	G1/2"	18	14	21.5	49	22	38	27	32	32	720B-08I	O19.3X2.4	ZHD-22		
1CI-30-B12	M30X2	G3/4"	22	16	24	56	28.5	45	36	41	36	720B-12I	O23.5X3.0	ZHD-27	16 轻系列 L	
1CI-36-B16	M36X2	G1"	28	18	30.5	71	33	50	41	50	41	720B-16I	O29.5X3.0	ZHD-33		
1CI-45-B20	M45X2	G1.1/4"	35	20	35.5	82	37	59	50	60	50	720B-20I	O38.5X3.0	ZHD-42		
1CI-52-B24	M52X2	G1.1/2"	42	22	40.5	93	41.5	64	55	70	60	720B-24I	O44.5X3.0	ZHD-48		
1DI-14-B04	M14X1.5	G1/4"	6	12	14.5	33	17.5	32	19	24	17	720B-04I	O11.3X2.4	ZHD-14	63 重系列 S	
1DI-16-B04	M16X1.5	G1/4"	8	12	14.5	33	17.5	32	19	24	19	720B-04I	O11.3X2.4	ZHD-14		
1DI-18-B06	M18X1.5	G3/8"	10	12	16.5	38	21	38	24	30	22	720B-06I	O15.3X2.4	ZHD-18		
1DI-20-B06	M20X1.5	G3/8"	12	12	16.5	38	21	38	24	30	24	720B-06I	O15.3X2.4	ZHD-18		
1DI-22-B08	M22X1.5	G1/2"	14	14	21.5	49	23.5	41	27	32	27	720B-08I	O19.3X2.4	ZHD-22		
1DI-24-B08	M24X1.5	G1/2"	16	14	21.5	49	23	41	27	32	30	720B-08I	O19.3X2.4	ZHD-22		
1DI-30-B12	M30X2	G3/4"	20	16	24	56	27.5	49	36	41	36	720B-12I	O23.5X3.0	ZHD-27	40 重系列 S	
1DI-36-B16	M36X2	G1"	25	18	30.5	71	32.5	57	41	50	46	720B-16I	O29.5X3.0	ZHD-33		
1DI-42-B20	M42X2	G1.1/4"	30	20	35.5	82	38	65	50	60	50	720B-20I	O38.5X3.0	ZHD-42		
1DI-52-B24	M52X2	G1.1/2"	38	22	40.5	93	42.5	73	55	70	60	720B-24I	O44.5X3.0	ZHD-48		

注：如需带卡套及卡套螺母整套订货，则请在代号后加“RN”，如 1D1-36-B16RN。

Note: In case if you are interested to order the adapter in complete set with cutting ring and nut ,it is necessary to insert suffix "RN" after our part no., for example 1D1-36-B16RN.