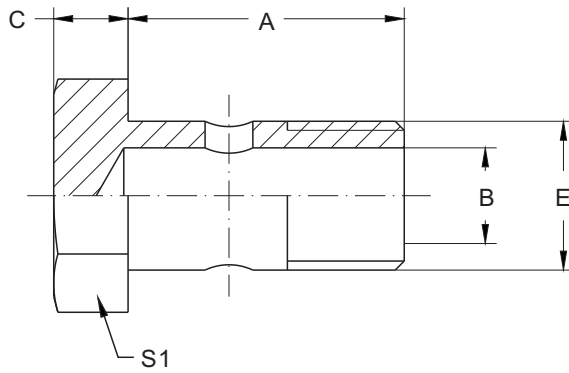


## BANJO FITTING AND BOLT FOR HOSE/PIPE OF BRAKE OR FUEL LINE

铰接接头 Banjo bolt with Metric thread DIN 7643 standard



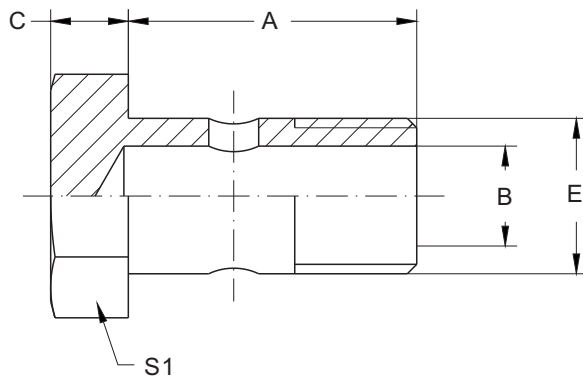
公制铰接螺栓  
METRIC BOLT  
DIN 7643

**700M**

型号 PART NO.	螺纹E THREAD E	尺寸 DIMENSIONS			
		A	B	C	S1
700M-10	M10x1	19	4	6	14
700M-12	M12x1.5	24	6	6	17
700M-14	M14x1.5	26	8	7	19
700M-16	M16x1.5	28	9	7.5	22
700M-18	M18x1.5	32	11	8	24
700M-22	M22x1.5	39	14	9	27
700M-26	M26x1.5	45	18	10	32
700M-30	M30x1.5	51	22	11	38

# BANJO FITTING AND BOLT FOR HOSE/PIPE OF BRAKE OR FUEL LINE

铰接接头 Banjo Bolt with Metric thread JB standard in China



部标公制铰接螺栓  
JB METRIC BANJO

**710M**

型号 PART NO.	螺纹E THREAD E	尺寸 DIMENSIONS			
		A	B	C	S1
710M-10	M10x1	25	4	6	17
710M-14	M14x1.5	32	8	7	19
710M-18	M18x1.5	38	11	8	24
710M-22	M22x1.5	48	14	9	30
710M-27	M27x2	60	18	10	36
710M-33	M33x2	63	22	12	41
710M-42	M42x2	85	28	14	55